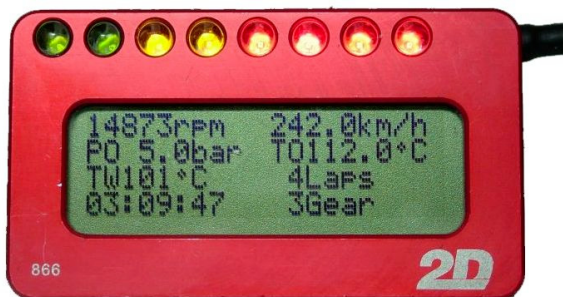


## DI-MDxx-000

## MiniDash display

### Features

- Shows any CAN channel on a 18 x 58 mm LCD graphic display (122 x 32 Pixel) divided on up-to 6 pages
- Conversion formula for each channel freely programmable
- Programmable alert function
- 8 individual programmable LED's
- Formatted advertisement of the fastest laptime
- CAN monitor function
- Programmable contrast, brightness, backlight



### Technical specifications

#### Electrical characteristics

Power supply.....	9-15	V
Current consumption@12V.....	150	mA

#### Mechanical characteristics

Dimensions.....	70 x 40 x 16.5	mm
Weight.....	80	g
Housing material.....	aluminium	
Cable length.....	190	mm

### MiniDash type differences

	DI-MD02-000	DI-MD03-000
Channels		
CAN channels.....	16	32
Event channels.....	2	2
Switchable pages.....	3	6
Channels per page.....	up-to 8	up-to 8
CAN Monitor.....	✔	✔
Eight LED's free programmable.....	✔	✔
Auto-Zero-Function.....	N/A	✔

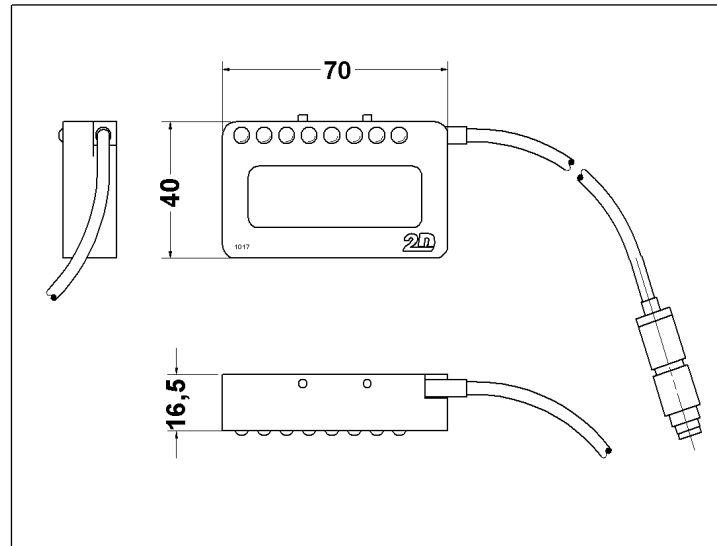
### Ordering information

Art.No.:..... DI-MDxx-000  
02 or 03 ←

## DI-MDxx-000

## MiniDash display

### Dimensions



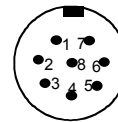
### Connector layout

#### CAN-line (MiniDash)

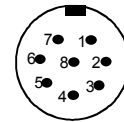
Pin	Name	Description	Color (standard)
1	Button/LAP	Button 1	blue
2	BGND	Board Ground	black
3	-	Not connected	-
4	Vext	Power IN (4-18V)	red
5	CAN H	CAN Bus High	white
6	CAN L	CAN Bus Low	green
7	TxD	Serial Bus Transmit	yellow
8	RxD	Serial Bus Receive	brown

### Connector types

#### Connector at display Mating plug

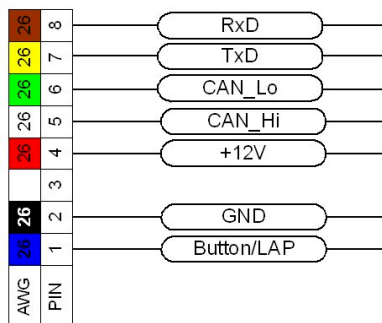


Binder 712, 8 PM  
(front side)



Binder 712, 8 PF  
(front side)

### AWG / Color Open wires (optional)



### Cable

type..... Raychem SEPD-7  
 wire cross section..... AWG26-DR25  
 length..... 190mm

### Documentation reference



A documentation about operating + setting for this display is available at the homepage or the 2D CD-ROM.

→ <Support> <Download> <2D manuals> <Hardware manuals><MiniDash display>

→ Take a look at "AC-DOC\_DI-MDxxSetting\_e-000"